



**John
BOOS**
Since 1887

ITEM #: _____ QTY: _____
 MODEL #: _____
 PROJECT NAME: _____

062217

3601 S. Banker St. Effingham, IL 62401 • P.O. BOX 609 • Ph: (888) 431-2667 • Fax: (800) 433-2667

"PB-DISINK1014" PRO-BOWL DROP-IN HAND SINK



1 BOWL

FEATURES:

- ONE PIECE DEEP DRAWN BOWL
- ALL SINK BOWLS HAVE LARGE LIBERAL RADII CORNERS
- INCLUDES BASKET DRAIN
- DECK MOUNT FAUCET HOLES - 4" ON-CENTER

MATERIAL:

- BOWL: TYPE 300 STAINLESS STEEL POLISH, SATIN FINISH
- BRACKET: TYPE 300 STAINLESS STEEL POLISH, SATIN FINISH

CONSTRUCTION:

- BOWL: STAINLESS STEEL TOPS ARE TIG WELDED, EXPOSED WELDS ARE POLISHED TO MATCH ADJACENT SURFACE.



PB-DISINK101405



PB-DISINK101405-SSLR



PB-DISINK101405-P-SSLR



PB-DISINK101410



PB-DISINK101410-SSLR



PB-DISINK101410-P-SSLR

PRO-BOWL DROP-IN HAND SINKS

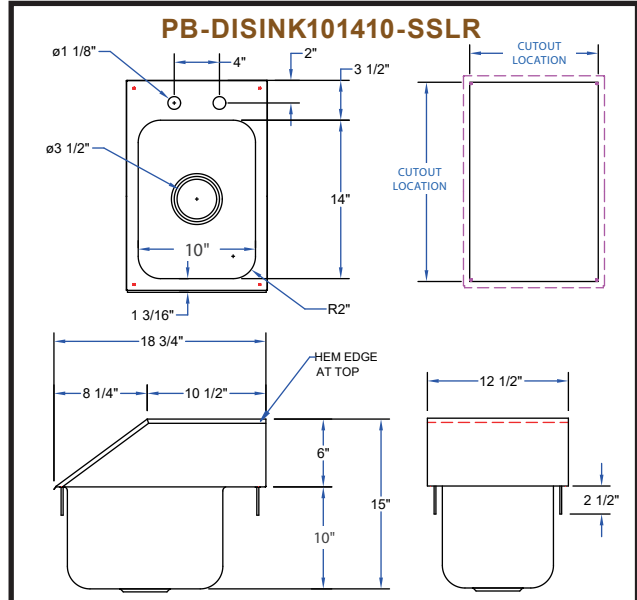
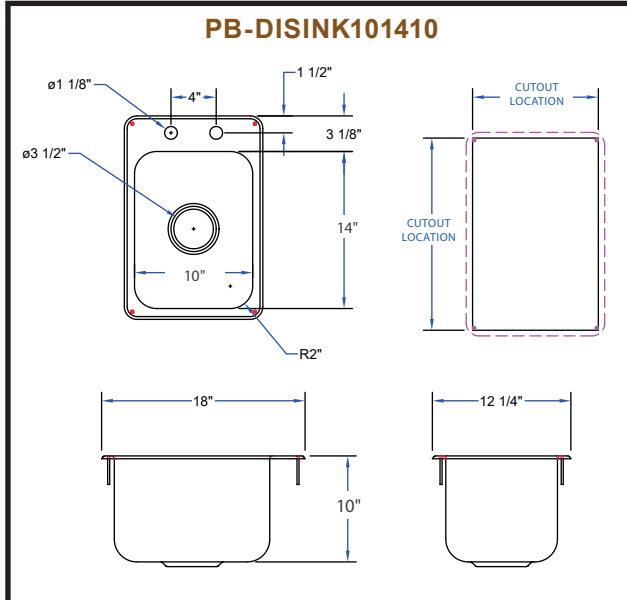
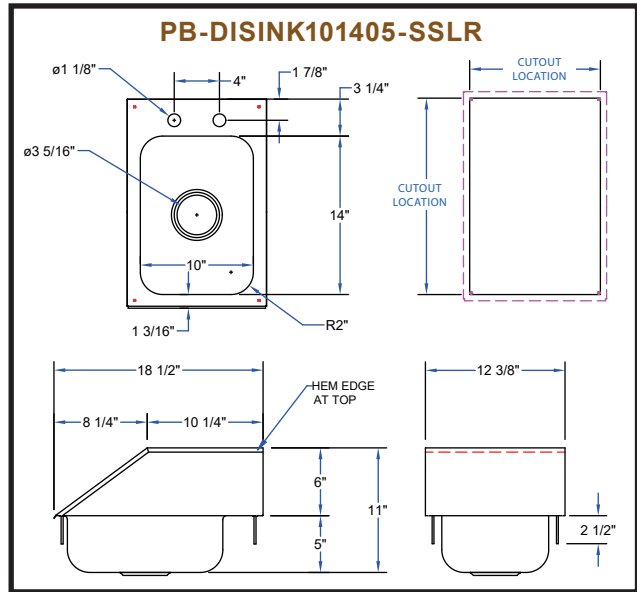
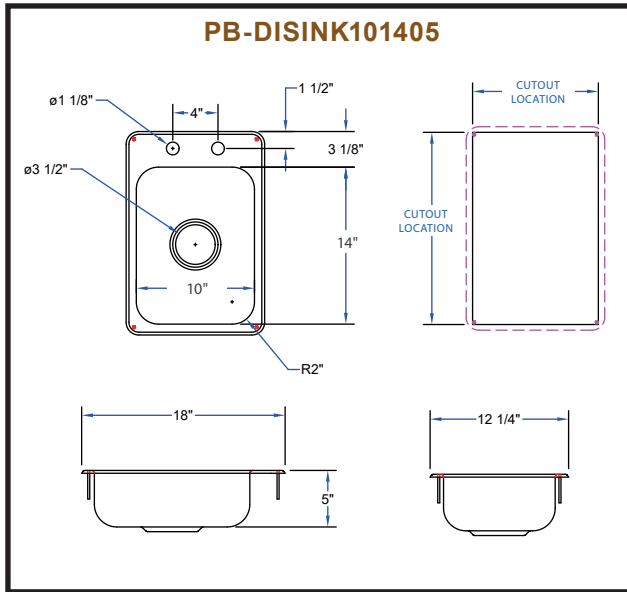
MODEL #	QTY
PB-DISINK101405	
PB-DISINK101405-SSLR	
PB-DISINK101405-P-SSLR	
PB-DISINK101410	
PB-DISINK101410-SSLR	
PB-DISINK101410-P-SSLR	

****CALL FACTORY FOR CUT OUT SIZES.****

OPTIONAL ACCESSORIES

DESCRIPTION	QTY
FAUCETS	
SIDE SPASH	
ADA WRIST BLADES	
TOWEL DISPENSER	
LEVER WASTES	
OVER FLOWS	
P-TRAPS	

DETAILED SPECIFICATIONS



PRO-BOWL DROP-IN HAND SINKS

MODEL #	BOWL SIZE (LxWxD)	SINK SIZE (LxWxD)	CERTIFICATION	SIDE SPLASH
PB-DISINK101405	10" X 14" X 5"	12-1/4" X 18" X 5"	NSF COMPONENT, CSA	N/A
PB-DISINK101405-SSLR	10" X 14" X 5"	12-3/8" X 18-1/2" X 5"	NSF COMPONENT, CSA	LH & RH
PB-DISINK101405-P-SSLR (INCLUDES: PBF-4-DLF)	10" X 14" X 5"	12-3/8" X 18-1/2" X 5"	NSF COMPONENT, CSA	LH & RH
PB-DISINK101410	10" X 14" X 10"	12-1/4" X 18" X 10"	NSF COMPONENT, CSA	N/A
PB-DISINK101410-SSLR	10" X 14" X 10"	12-1/2" X 18-3/4" X 10"	NSF COMPONENT, CSA	LH & RH
PB-DISINK101410-P-SSLR (INCLUDES: PBF-4-DLF)	10" X 14" X 10"	12-1/2" X 18-3/4" X 10"	NSF COMPONENT, CSA	LH & RH

CALL FACTORY FOR CUT OUT SIZES. WEIGHTS ARE SUBJECT TO ADDITIONAL PACKAGING

SOME UNITS SHIP UNASSEMBLED FOR REDUCED SHIPPING COST. ALL DIMENSIONS ARE TYPICAL. TOLERANCE +/- .500"

John Boos & Co. is constantly engaged in a program of improving products and therefore reserves the right to change specifications without prior notice.



3601 S. Banker St. • Effingham, IL 62401 • PO BOX 609 • quotes@johnboos.com

062217

Boos
lock

AQ AutoQuotes

www.johnboos.com

67